



**NRSA Series**  
**SMD Power Inductors For Automotive**  
**Size 3012B**

**FEATURES**

- 
- 
- 
- 
- 
- 

**APPLICATION**

- 

Dimensions: [mm]

Land Pattern: [mm]



KOHER Electronics  
 F9, No. 4188, Huaning Rd, M  
 021-34753361 Contact@koh

**Electrical Properties:**

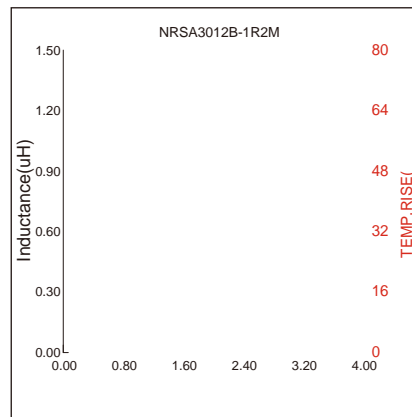
Part No	Inductance @ 100KHz/1V	Tolerance	Temperature Rise Current Typ. (A)	Temperature Rise Current Max. (A)	Current Typ. (A)	Current Max. (A)	DC Resistance ±20%

Saturation Current will cause L to drop approximately 30%

Temperature Rise Current: The actual value of DC current when the temperature rise is  $\Delta T=40^{\circ}\text{C}$



## Typical Electrical Characteristics:



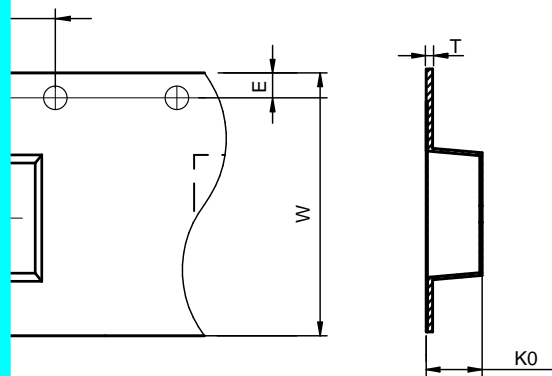


Preheat condition: 150 ~200 °C / 60~120 sec.

Allowed time above 217 °C: 60~90 sec.

Max temperature: 260 °C.

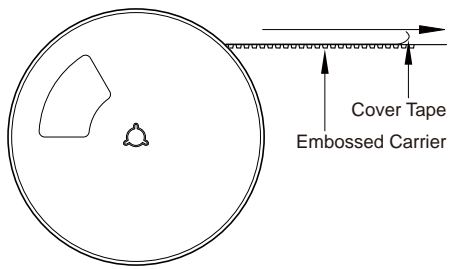
Allowed Reflow time: 2x max.



	P1 (mm)	W (mm)	K0 (mm)	E (mm)	T (mm)
--	------------	-----------	------------	-----------	-----------



Reel Dimension: [mm]



\_\_\_\_\_

Packaging Quantity: