

FBFA Series

Ferrite Bead

Size 8530



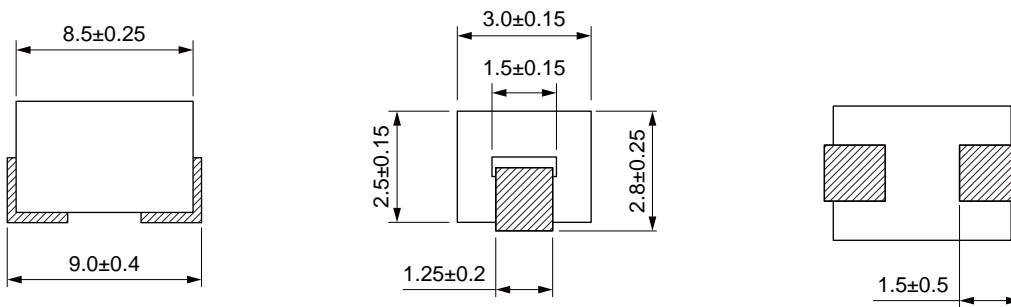
FEATURES

- 100% Lead(Pb) & Halogen-Free and RoHS compliant
- AEC-Q200 qualified
- Operating temperature: -55 to +125 °C (including self-temperature rise)

APPLICATION

- Power Line filter for body controls, electromotor and car multimedia etc.

Dimensions: [mm]



Electrical Properties:

	()	()	(m)	Δ °C	Δ °C
FBFA8530-101-132R	$65 \pm 25\%$	$100 \pm 25\%$	1.00	13.0	18.0

Typical Electrical Characteristics:

Impedance VS Frequency

