



# BCMA Series

## Common Modu Filters For Automotive Signal Line

### Size 1210

#### FEATURES

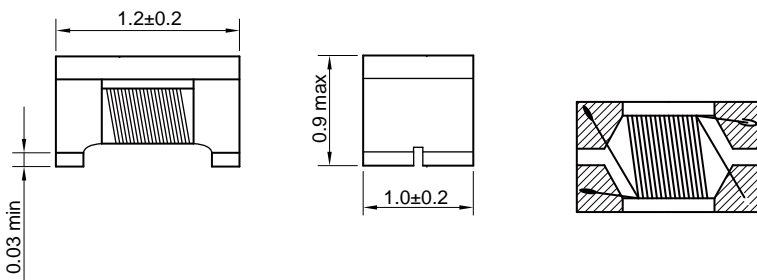
- 
- ters f
- 
- nt with AEC-Q200
- 

#### APPLICATION

- interf ST et

Dimensions: [mm]

Land Pattern: [mm]

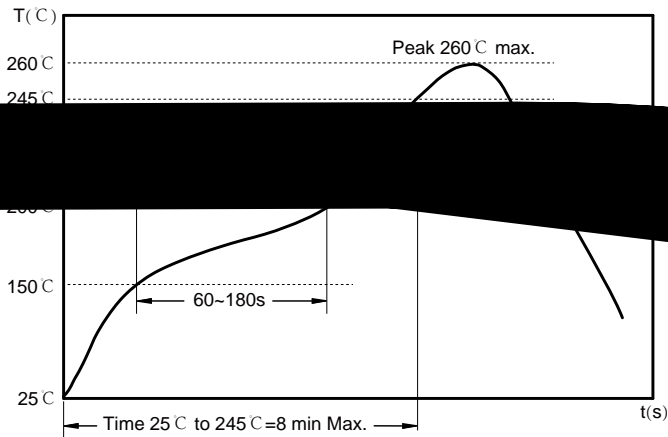


Electrical Properties:

Typical Electrical Characteristics:



## Soldering Reflow:



Preheat condition: 150 ~200 C / 60~180 sec.

Max time at 245°C: 180 sec  
 Allowed Reflow time: 3x max.

## Packaging Information:

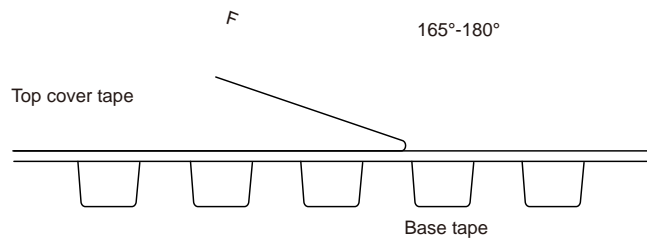
Tape Dimension :



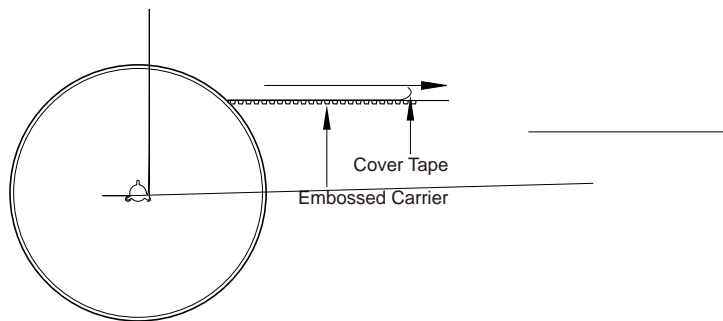
Series	A0 (mm)	B0 (mm)	D (mm)	P0 (mm)	P1 (mm)	W (mm)	K0 (mm)	E (mm)	T (mm)
BCMA1210	1.12±0.1	1.40±0.1	1.5±0.1	4.0±0.1	4.0±0.1	8.0±0.3	1.05±0.1	1.75±0.1	0.22±0.05



Peel force of top cover tape:



Reel Dimension: [mm]



## Cautions and Warnings:

### Storage Conditions :

- The storage period is within 12 months after the completion of production. Be sure to follow the storage conditions (temperature: -5 to 35°C, humidity: 75% RH Max).If the storage period elapses, the soldering of the terminal electrodes may deteriorate.The warranty period is one year.
- Product should not be exposed to environment with high temperature, high humidity, dust, corrosive gas and etc.
- Products should be handled with care to avoid damage or contamination from perspiration and skin oils.
- Please always handle products carefully to prevent any damage caused by dropping down or inappropriate removing.

### Operation Instructions:

- 
- 
- 
-